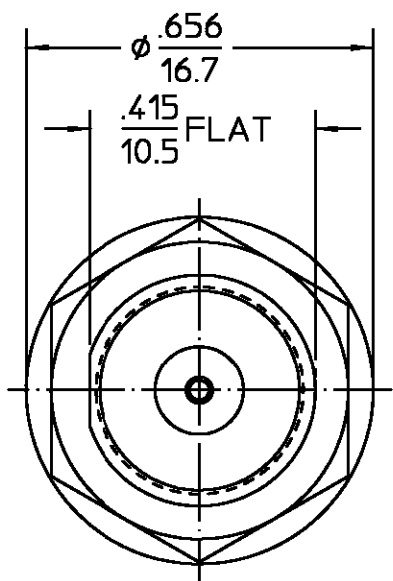
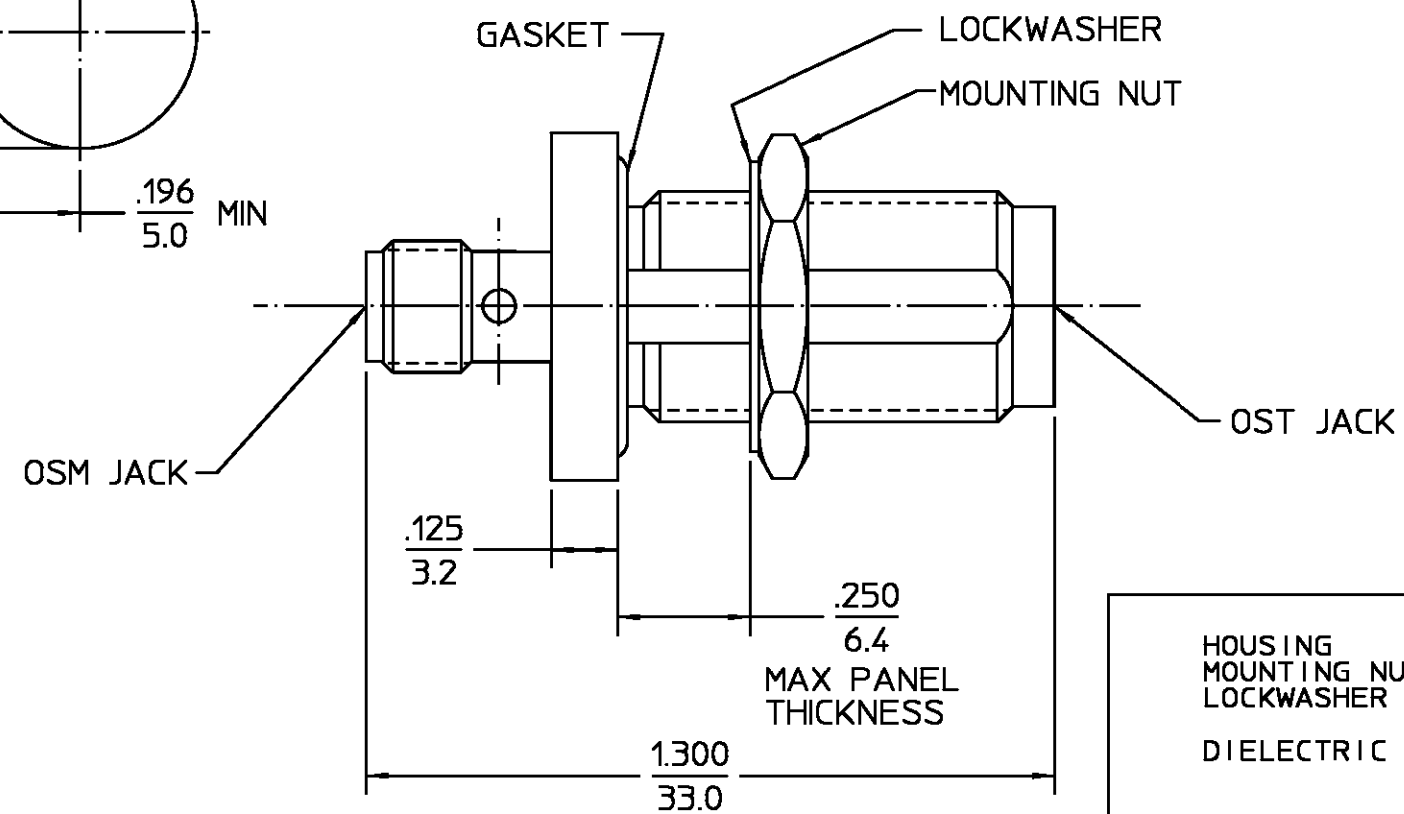
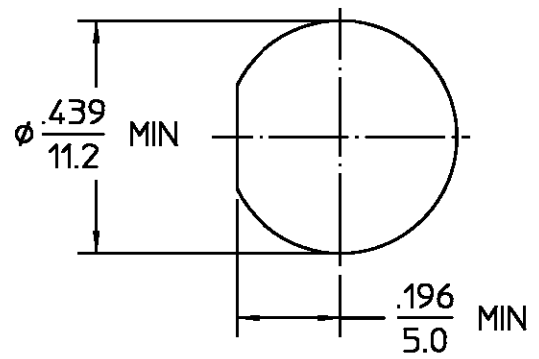


REVISIONS			
REV	DESCRIPTION	DATE	APPROVED
01 ₁	REVISED	K.L. 7-12-96	<i>PCW</i> 7/17/96

RECOMMENDED MOUNTING HOLE



COMPONENT	MATERIAL	FINISH
HOUSING MOUNTING NUT LOCKWASHER	STAINLESS STEEL PER ASTM-A484 AND ASTM- A582, TYPE 303	PASSIVATE PER QQ-P-35
DIELECTRIC	TFE FLUOROCARBON PER ASTM-D-1457	N/A
CENTER CONTACT	BERYLLIUM COPPER PER ASTM-B-196 OR ASTM-B-197, ALLOY C17300, CONDITION H	GOLD PLATE PER MIL-G-45204
GASKET	FLUOROCARBON RUBBER PER MIL-R-83248, TYPE 1, CLASS 1	N/A

UNLESS OTHERWISE SPECIFIED DIMENSIONS ARE IN INCHES		DRAWN BY SWA	DATE 11-8-84
FRAC. ± 1/64	DEC. ±.005	CHECKED BY MLB	DATE 11-16-84
ANGLES ± 1°		APP'D BY DRG	DATE 11-23-84

M/A-COM
an AMP company

M/A-COM, Inc.
Waltham, MA 02254

NOTES:
1. CAPTURED CENTER CONTACT $\frac{.XXX}{XX.X} = \frac{\text{in}}{\text{mm (REF)}}$

These drawings and specifications are the property of M/A COM Interconnect Div. and shall not be reproduced or copied or used in whole or in part as the basis for the manufacture or sale of item(s) without written permission.

USE ASSY PROCEDURE

NO. A.P. N/A

TITLE OST JACK TO OSM JACK BULKHEAD FEED THROUGH			
SIZE B	CODE IDENT NO. 26805	3784-2240-00	REV 01 ₁
SCALE 3:1			SHEET 1 OF 1